

NEO

Duct-free Mini-Split Heat Pump

9,000– 36,000 BtuH



neo

Technical Product Guide



Innovative Duct-free Mini Split Solution

Table of Contents

1.0	PRODUCT OVERVIEW	3
2.0	FEATURES AND BENEFITS	3
3.0	PRODUCT NOMENCLATURE	6
4.0	AHRI CERTIFICATION	6
5.0	SYSTEM FEATURES	7
6.0	USER CONTROL FUNCTIONS	8
7.0	SYSTEM PERFORMANCE	9
8.0	SOUND DATA	12
9.0	ELECTRICAL DATA	13
10.0	MAJOR COMPONENTS & WEIGHTS	14
11.0	DIMENSIONAL SPECIFICATIONS	15
12.0	CLEARANCE SPECIFICATIONS	23
13.0	EXTENDED PERFORMANCE RATINGS	24
14.0	ELECTRICAL WIRING	32
15.0	CONDENSATE REMOVAL	33
16.0	TETHERED WIRED CONTROLLER	34
17.0	PRODUCT LIMITED WARRANTY	37

PRODUCT OVERVIEW

NEO Duct-free Mini-Split System is a Combination of Power & Efficiency

Energy-efficient yet powerful, the Gree Neo is an energy efficient duct-free split system that excels at single zone applications. This system includes an indoor cabinet, outdoor compressor, wireless remote and remote cradle. The Neo does not require bulky duct work so installation is simple, fast, & cost effective; PLUS, you will find that this duct-free split system is more quiet and efficient than conventional air conditioning systems.

FEATURES AND BENEFITS

HIGH EFFICIENCY G-10 INVERTER - The G10 Inverter uses a broad range of variable frequencies to drive the compressor, marking the highest level of inverter control technology available today. Unlike conventional technology that generally regulates room temperature by running at maximum capacity and then shutting off completely, G10 Inverter technology eliminates these harsh starts/stops. This cutting edge functionality results in quicker arrival at desired temperatures and superior maintenance of consistent comfort levels. Higher efficiency and significant energy savings? Yes, it yields those too.



HEAT PUMP ADVANTAGE – Gree heat pumps, powered by the G10 Inverter, provide the same heating capacity as electric heat, while using as little as 1/3 the electricity.

INTELLIGENT DEFROST - The Intelligent Defrost function increases room comfort and saves energy by eliminating unnecessary defrost cycles. In heating mode, the control system monitors the outdoor coil for frost buildup, and the system switches to defrost mode only when frost buildup is actually detected. This avoids unnecessary and wasteful defrosts.

GOLD FIN CONDENSER - The system's corrosion-resistant Gold Fin condenser coating (1500hr salt spray rating) is made with a gold-colored anti-corrosion epoxy. This technology maintains excellent heat transfer properties while extending coil life against damage from salt air and salt water in seacoast installations.



FEATURES AND BENEFITS (Cont.)

LOW VOLTAGE START UP – Having stable electrical power is not always an option. The Gree system will operate from 170v to 253v (230v model) and 104v to 127v (115v models) which is suitable for unstable power supply areas.

WHISPER QUIET Gree systems are both energy efficient and quiet. Wall mounted units operate with sound levels starting as low as 26 dB(A).

SUBTLE APPEARANCE -Designed for a comfortable fit in virtually any living space. This slim compact cabinet sits inconspicuously on the wall, and blends into most interior designs.

MULTI-SPEED FAN – The indoor fan can run at up to four different speeds (*Low, Medium, High or Turbo*) for either **COOLING** or **HEATING** mode for maximum comfort and quiet operation.

TIME GUARD - Among the system's many safeties is a Time Guard function to prevent rapid cycling of the compressor. A protective five-minute time delay restricts compressor restarts after shutoff.

POWER FAILURE MODE - Power interruptions are no problem. User selections and system parameters are stored in non-volatile memory. These parameters are retained during a power failure. When power is returned, the system will automatically return to the last operating mode.

COMMAND CENTER–The unit comes with a factory supplied wired Tether Controller or Wireless Remote Controller.

Note: the controllers are mutually exclusive. They cannot be used at the same time.

WIRELESS IR REMOTE CONTROLLER - The Gree multi-functional infrared hand held wireless controller is sleek, ergonomically designed, easy to use and has a large backlit LCD display.

WIRED TETHER CONTROLLER (Optional) – The Gree tether controller mounts to the wall up to 25 feet from the unit. It provides complete control over operation mode, desired temperature, fan speed, airflow direction and more.

MODE BUTTON - The units can be set to five different operating modes: *HEAT, COOL, DRY, FAN ONLY and AUTO*.

Note: **AUTO MODE** has fixed setpoints of 68° F heating and 78° F cooling, which are not changeable. The system will automatically select heating or cooling to maintain room temperature within this temperature band.

FEATURES AND BENEFITS (Cont.)

INTELLIGENT PRE-HEATING - The system guards against the annoying **COLD BLOW** in heating mode, and constantly monitors the discharge air temperature. It will delay the indoor fan until the indoor coil has warmed up to prevent blowing uncomfortable cool air into the room.

TIMER MODE – The unit can be programmed to turned **ON** or **OFF** after a specific amount time. The time period is adjustable between one half and 24 hours.

I FEEL MODE – The unit will sense room temperature at the remote controller instead of at the indoor unit. It then adjusts airflow and temperature accordingly for the ultimate in personal comfort control and energy savings.

SWING LOUVER – The unit has adjustable swing louvers which can be controlled from the wired tether or wireless controllers. Vertical swing louver allows five different vertical (up & down) air discharge directions including Continuous Sweep. Maximize comfort by adjusting the direction of airflow in the room by moving the louvers up or down.

PRIVACY LOCK MODE – Both wired tether and wireless controllers have a Privacy Lock to avert unauthorized access and stop tampering with system settings.

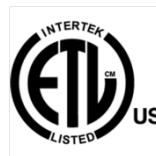
SLEEP MODE –The unit will automatically adjust room temperature during sleep time. This slight change in temperature will not affect your comfort level due to the natural effects that sleeping has on the body, but it will save on energy consumption and will lower electric bills.

FAHRENHEIT ° F / CELSIUS ° C - The wired tether and wireless controllers can be set to display in either °F or °C.

POLYMERIC AIR FILTERS –Two-piece removable polymeric air filters easily slide in and out from the front of the indoor unit and are interchangeable. The front panel does not need to be removed to access or change the filters. The filters are washable and permanent.

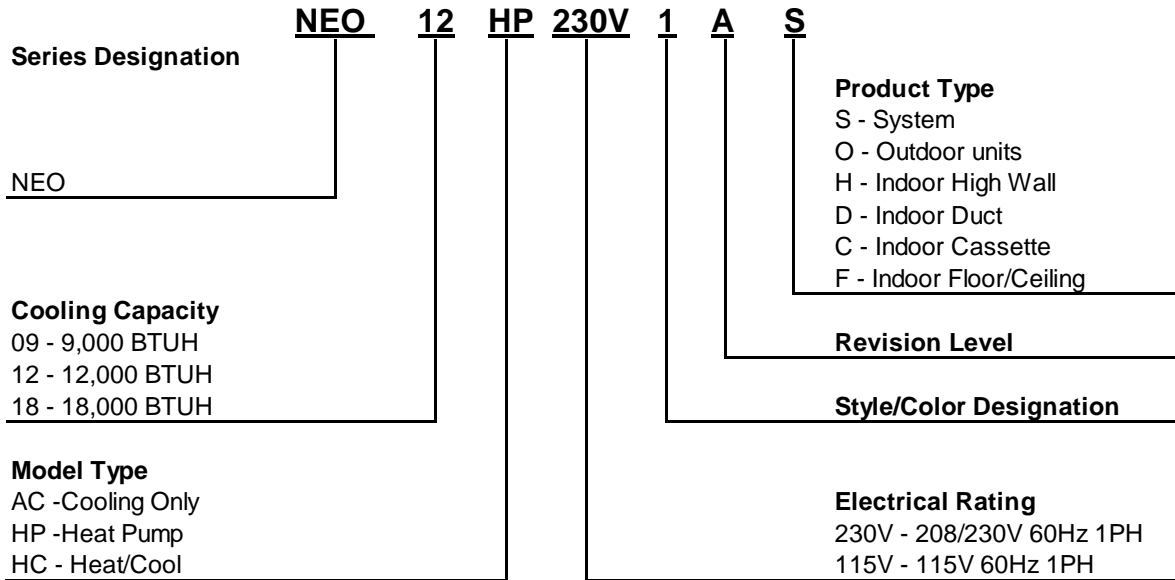
SELF-DIAGNOSIS –With an on-board computer using real-time diagnostics, the Gree system helps to prolong its own life. The automatic diagnosis feature continuously scans for unacceptable operating conditions or malfunctions. If such conditions occur, the system takes corrective action or stops. Fault codes are shown on the unit display to facilitate easy troubleshooting and repair.

AGENCY LISTINGS - All systems are listed with AHRI (Air conditioning, Heating, and Refrigeration Institute) and are ETL Certified per UL Standards.



5/7 YEAR LIMITED WARRANTY - Enjoy one of the most comprehensive warranties in the industry. Seven (7) years on compressor and Five (5) years on all parts.

NOMENCLATURE



AHRI CERTIFICATION

MODEL NUMBER	BRAND	AHRI CERTIFICATION
NEO09HP115V1A	GREE	7181271
NEO12HP115V1A	GREE	7181272
NEO09HP230V1A	GREE	7065019
NEO12HP230V1A	GREE	7065020
NEO18HP230V1A	GREE	7065021
NEO24HP230V1A	GREE	7065022
NEO30HP230V1A	GREE	7065023
NEO36HP230V1A	GREE	7065024



SYSTEM FEATURES

Model	NEO09HP115V1A	NEO12HP115V1A	NEO09HP230V1A	NEO12HP230V1A	NEO18HP230V1A	NEO24HP230V1A	NEO30P230V1A	NEO36HP230V1A
Nominal Cooling Capacity (Btu/H)	9,000	12,000	9,000	12,000	18,000	24,000	30,000	36,000
Operating Voltage	115V	115V	230V	230V	230V	230V	230V	230V
System Type	Heat Pump	Heat Pump	Heat Pump	Heat Pump	Heat Pump	Heat Pump	Heat Pump	Heat Pump
SYSTEM FEATURES								
Auxiliary Electrical Heater	NO	NO	NO	NO	NO	NO	NO	NO
Base pan With Electric Heater	YES	YES	YES	YES	YES	YES	YES	YES
Compressor With Electric Heater	YES	YES	YES	YES	NO	YES	YES	YES
Corrosion Protection	Gold Fin	Gold Fin	Gold Fin	Gold Fin	Gold Fin	Gold Fin	Gold Fin	Gold Fin
Inverter Type	G10	G10	G10	G10	G10	G10	G10	G10
Intelligent Defrosting	YES	YES	YES	YES	YES	YES	YES	YES
Intelligent Preheating	YES	YES	YES	YES	YES	YES	YES	YES
LED Display Indoor Unit	YES	YES	YES	YES	YES	YES	YES	YES
Low Ambient Cooling	YES	YES	YES	YES	YES	YES	YES	YES
Low Ambient Heating	YES	YES	YES	YES	NO	YES	YES	YES
Low Voltage Startup	YES	YES	YES	YES	YES	YES	YES	YES
Memory/Power Failure Recovery	YES	YES	YES	YES	YES	YES	YES	YES
Multi Fan Speeds	4 Speeds	4 Speeds	4 Speeds	4 Speeds	4 Speeds	4 Speeds	4 Speeds	4 Speeds
Self-Diagnosis	YES	YES	YES	YES	YES	YES	YES	YES
Photocatalytic Filter	NO	NO	NO	NO	NO	NO	NO	NO
Ventilation (Outdoor Air)	NO	NO	NO	NO	NO	NO	NO	NO

USER CONTROL FUNCTIONS

Model	NEO09HP115V1A	NEO12HP115V1A	NEO09HP230V1A	NEO12HP230V1A	NEO18HP230V1A	NEO24HP230V1A	NEO30P230V1A	NEO36HP230V1A
Nominal Cooling Capacity (Btu/H)	9,000	12,000	9,000	12,000	18,000	24,000	30,000	36,000
Operating Voltage	115V	115V	230V	230V	230V	230V	230V	230V
USER CONTROL FEATURES								
Auto Mode	YES	YES	YES	YES	YES	YES	YES	YES
Auto Fan	YES	YES	YES	YES	YES	YES	YES	YES
Auto Swing (Horizontal Auto Swing)	NO	NO	NO	NO	NO	NO	NO	NO
Auto Swing (Vertical Auto Swing)	YES	YES	YES	YES	YES	YES	YES	YES
Clock on Remote Controller	YES	YES	YES	YES	YES	YES	YES	YES
Dry Mode	YES	YES	YES	YES	YES	YES	YES	YES
Dry Anti-Mildew (X-Fan) Mode	YES	YES	YES	YES	YES	YES	YES	YES
Energy Saving Mode	NO	NO	NO	NO	NO	NO	NO	NO
Dirty Filter Alert	NO	NO	NO	NO	NO	NO	NO	NO
I Feel Function	NO	NO	YES	YES	YES	YES	YES	YES
Wired Controller Interface	YES	YES	YES	YES	YES	YES	YES	YES
Lock on Remote Controller	YES	YES	YES	YES	YES	YES	YES	YES
Quiet Mode	NO	NO	NO	NO	NO	NO	NO	NO
Room Temperature Display	YES	YES	YES	YES	YES	YES	YES	YES
Sleep Mode	YES	YES	YES	YES	YES	YES	YES	YES
Multi Sleep Modes Options	NO	NO	NO	NO	NO	NO	NO	NO
Timer Mode	YES	YES	YES	YES	YES	YES	YES	YES
Turbo Mode	YES	YES	YES	YES	YES	YES	YES	YES

SYSTEM PERFORMANCE

Model Numbers	SEER	EER	Cooling Capacity		Dehumidification (Pts./Hr.)	Outdoor Temperature Operating Range	
			Rated (BtuH)	Range (BtuH)		Min	Max
NEO09HP115V1A	22	14.2	9,000	(4,435-12,000)	1.7	5 °F	109 °F
NEO12HP115V1A	20	12.0	12,000	(4,500-14,000)	3.0	5 °F	109 °F
NEO09HP230V1A	22	14.2	9,000	(3,500-9,600)	2.5	5 °F	109 °F
NEO12HP230V1A	20	12.0	12,000	(3,100-13,000)	3.0	5 °F	109 °F
NEO18HP230V1A	18	12.0	18,000	(5,970-22,350)	3.8	5 °F	109 °F
NEO24HP230V1A	18	12.0	21,400	(9,600-25,000)	5.3	5 °F	109 °F
NEO30HP230V1A	16	10.1	28,000	(9,500-30,000)	6.3	5 °F	109 °F
NEO36HP230V1A	16	8.4	34,6000	(7,4000-36,000)	7.4	5 °F	109 °F

Model Numbers	HSPF	COP	Heating Capacity		Outdoor Temperature Operating Range	
			Rated (BtuH)	Range (BtuH)	Min	Max
NEO09HP115V1A	8.9	4.0	9,500	(3,200-12,500)	5 °F	75 °F
NEO12HP115V1A	9.6	3.2	13,000	(3,250-14,500)	5 °F	75 °F
NEO09HP230V1A	9.2	3.8	9,800	(2,200-11,000)	5 °F	75 °F
NEO12HP230V1A	9.2	3.2	13,000	(2,400-14,000)	5 °F	75 °F
NEO18HP230V1A	10.0	3.5	19,800	(4,100-22,000)	5 °F	75 °F
NEO24HP230V1A	10.0	3.2	23,000	(4,300-26,000)	5 °F	75 °F
NEO30HP230V1A	8.2	2.9	28,400	(10,000-33,000)	5 °F	75 °F
NEO36HP230V1A	8.2	2.5	34,600	(15,000-36,000)	5 °F	75 °F

NOTES:

1. Ratings are based on: Cooling Standard: 80 F (26.7 C) db, 67 F (19.4 C) wb air entering indoor unit and 95 F (35 C) db air entering outdoor unit. Heating Standard: 70 F (21.1 C) db air entering indoor unit and 47 F (8.3 C) db, 43 F (6.1 C) wb air entering outdoor unit.
2. Ratings are based on 25 ft. (7.62 m) of interconnecting refrigerant lines.
3. All system ratings are based on fan coil units operating at high fan speed. Consult Physical Data tables for air flows at selected fan speeds.

Legend

EER - Energy Efficiency Ratio
HSPF - Heating Seasonal Performance Ratio
SEER - Seasonal Energy Efficiency Ratio
COP - Coefficient of Performance

AIR FLOW PERFORMANCE

Indoor Unit

Model Numbers	Cooling (CFM)				Heating (CFM)			
	Low Fan	Medium Fan	High Fan	Turbo Fan	Low Fan	Medium Fan	High Fan	Turbo Fan
NEO09HP115V1AH	206	247	282	335	206	247	282	335
NEO12HP115V1AH	206	247	282	335	206	247	282	335
NEO09HP230V1AH	218	253	277	306	218	253	277	306
NEO12HP230V1AH	218	253	277	335	218	253	277	335
NEO18HP230V1AH	324	383	459	500	324	383	459	500
NEO24HP230V1AH	353	412	471	589	353	412	471	589
NEO30HP230V1AH	412	530	618	706	412	530	618	706
NEO36HP230V1AH	412	530	647	736	412	530	647	736

Outdoor Unit

Model Numbers	Air Flow (CFM)
NEO09HP115V1AO	1,059
NEO12HP115V1AO	1,177
NEO09HP230V1AO	942
NEO12HP230V1AO	942
NEO18HP230V1AO	1,883
NEO24HP230V1AO	2,354
NEO30HP230V1AO	2,354
NEO36HP230V1AO	2,589

Indoor Air Throw

Model Numbers	Approximate Air Throw (ft./m)			
	Low	Medium	High	Turbo
NEO09HP115V1AH	18 (5.5)	21 (6.4)	23 (7.0)	28 (8.5)
NEO12HP115V1AH	20 (6.1)	23 (7.0)	25 (7.6)	30 (9.1)
NEO09HP230V1AH	18 (5.5)	21 (6.4)	24 (7.3)	28 (8.5)
NEO12HP230V1AH	18 (5.5)	21 (6.4)	24 (7.3)	30 (9.1)
NEO18HP230V1AH	22 (6.7)	27 (8.2)	33 (10.1)	39 (11.9)
NEO24HP230V1AH	25 (7.6)	29 (8.8)	34 (10.4)	42 (12.8)
NEO30HP230V1AH	35 (10.7)	37 (14.3)	40 (12.1)	45 (13.7)
NEO36HP230V1AH	37 (11.3)	40 (12.1)	45 (13.7)	48 (14.6)

REFRIGERATION & PIPING SPECIFICATIONS

REFRIGERANT CHARGE

Model Number	Refrigerant Type	Factory System Charge (oz.)	Max Total Pipe Length Without Adding Refrigerant (ft.)	Additional Charge Level (oz./ft.)
NEO09HP115V1AO	R-410A	41.2	50	0.2
NEO12HP115V1AO	R-410A	45.9	66	0.2
NEO09HP230V1AO	R-410A	45.9	50	0.2
NEO12HP230V1AO	R-410A	45.9	66	0.2
NEO18HP230V1AO	R-410A	49.4	82	0.2
NEO24HP230V1AO	R-410A	56.4	82	0.2
NEO30HP230V1AO	R-410A	84.7	100	0.2
NEO36HP230V1AO	R-410A	91.7	100	0.2

REFRIGERANT PIPING LENGTHS

Model Number	Min. Pipe Length for System (ft.)	Max Pipe Length for System (ft.)	Max Elevation between Outdoor & Indoor Units (ft.)
NEO09HP115V1AO	10	50	33
NEO12HP115V1AO	10	50	33
NEO09HP230V1AO	10	50	33
NEO12HP230V1AO	10	66	33
NEO18HP230V1AO	10	82	33
NEO24HP230V1AO	10	82	33
NEO30HP230V1AO	10	100	33
NEO36HP230V1AO	10	100	33



SOUND DATA

Indoor High Wall Units

Model Numbers	Low Fan		Medium Fan		High Fan		Turbo Fan	
	Sound Power (dBA)	Sound Pressure (dBA)	Sound Power (dBA)	Sound Pressure (dBA)	Sound Power (dBA)	Sound Pressure (dBA)	Sound Power (dBA)	Sound Pressure (dBA)
NEO09HP115V1AH	42	32	45	35	47	37	50	40
NEO12HP115V1AH	43	33	46	36	49	39	52	42
NEO09HP230V1AH	42	32	45	35	48	38	52	42
NEO12HP230V1AH	43	33	46	36	49	39	54	44
NEO18HP230V1AH	45	35	50	40	54	44	59	49
NEO24HP230V1AH	47	37	51	41	55	45	63	53
NEO30HP230V1AH	57	47	61	51	65	55	67	57
NEO36HP230V1AH	59	49	63	53	67	57	69	59

Outdoor Unit

Model Numbers	Sound Power (dBA)	Sound Pressure (dBA)
NEO09HP115V1AO	60	50
NEO12HP115V1AO	62	52
NEO09HP230V1AO	60	50
NEO12HP230V1AO	62	52
NEO18HP230V1AO	66	56
NEO24HP230V1AO	68	58
NEO30HP230V1AO	72	62
NEO36HP230V1AO	75	65

Note:

1. Sound pressure ratings are estimated sound pressure measurements, 3 feet from unit.
2. Sound power ratings are per AHRI 270 and AHRI 350

ELECTRICAL DATA

Outdoor Unit

Model Numbers	Rated Power Supply (volt-phase-hz)	Voltage Range (volts)	Rated Input Power (watts)	
			Cooling	Heating
NEO09HP115V1AO	115v-1ph-60hz	104-127	680	700
NEO12HP115V1AO	115v-1ph-60hz	104-127	1000	1200
NEO09HP230V1AO	208/230v-1ph-60hz	187-253	620	750
NEO12HP230V1AO	208/230v-1ph-60hz	187-253	1000	1200
NEO18HP230V1AO	208/230v-1ph-60hz	187-253	1500	1650
NEO24HP230V1AO	208/230v-1ph-60hz	187-253	1780	2100
NEO30HP230V1AO	208/230v-1ph-60hz	187-253	2780	2870
NEO36HP230V1AO	208/230v-1ph-60hz	187-253	4000	4100

Outdoor Unit

Model Numbers	Rated Input Current (amps)		Min. Circuit Amp. (MCA)	Max Fuse Size (Amps)
	Cooling	Heating		
NEO09HP115V1AO	7.0	7.5	20	30
NEO12HP115V1AO	11.0	12.5	20	30
NEO09HP230V1AO	2.8	3.0	10	15
NEO12HP230V1AO	4.5	5.2	10	15
NEO18HP230V1AO	6.7	7.3	13	20
NEO24HP230V1AO	7.9	9.3	16	25
NEO30HP230V1AO	12.1	12.5	20	30
NEO36HP230V1AO	17.4	17.9	24	40

Model Numbers	Compressor		Outdoor Fan		Indoor Fan	
	RLA (amps)	LRA (amps)	RLA (amps)	Input Power (Watts)	RLA (amps)	Input Power (Watts)
NEO09HP115V1AO	14.0	20	0.46	30	0.3	15
NEO12HP115V1AO	15.0	20	0.46	30	0.3	15
NEO09HP230V1AO	7.2	16.5	0.14	30	0.2	20
NEO12HP230V1AO	6.5	16.5	0.14	30	0.2	20
NEO18HP230V1AO	9.7	27.0	0.28	60	0.3	20
NEO24HP230V1AO	11.0	41.0	1.1	90	0.2	60
NEO30HP230V1AO	13.5	40.0	0.45	120	0.4	70
NEO36HP230V1AO	17.5	67.0	0.73	150	0.5	70

Legend:

RLA – Rated Load Amps
FLA – Full Load Amps
LRA – Locked Rotor Amps
MCA – Min. Circuit Amps

INDOOR UNIT MAJOR COMPONENTS

Model Numbers	Air Filter	Fan Motor	Fan Type
NEO09HP115V1AH	Polymeric Mesh	AC Sync	Cross flow
NEO12HP115V1AH	Polymeric Mesh	AC Sync	Cross flow
NEO09HP230V1AH	Polymeric Mesh	AC Sync	Cross flow
NEO12HP230V1AH	Polymeric Mesh	AC Sync	Cross flow
NEO18HP230V1AH	Polymeric Mesh	AC Sync	Cross flow
NEO24HP230V1AH	Polymeric Mesh	AC Sync	Cross flow
NEO30HP230V1AH	Polymeric Mesh	AC Sync	Cross flow
NEO36HP230V1AH	Polymeric Mesh	AC Sync	Cross flow

OUTDOOR UNIT MAJOR COMPONENTS

Model Numbers	Compressor	Metering Device	Inverter
NEO09HP115VA1O	Rotary	EXV	G10
NEO12HP115VA1O	Rotary	EXV	G10
NEO09HP230VA1O	Rotary	EXV	G10
NEO12HP230VA1O	Rotary	EXV	G10
NEO18HP230VA1O	Rotary	EXV	G10
NEO24HP230VA1O	Rotary	EXV	G10
NEO30HP230V1AO	Rotary	EXV	G10
NEO36HP230V1AO	Rotary	EXV	C10

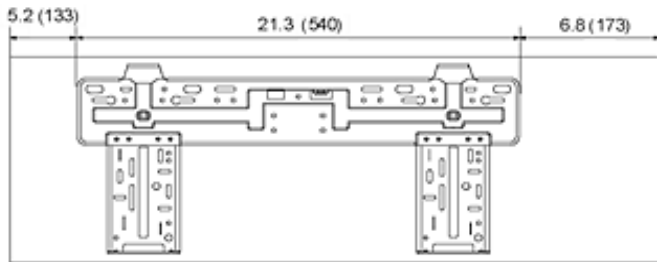
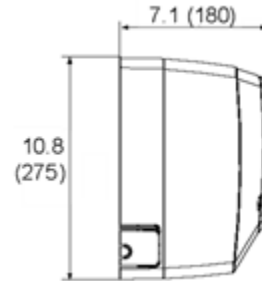
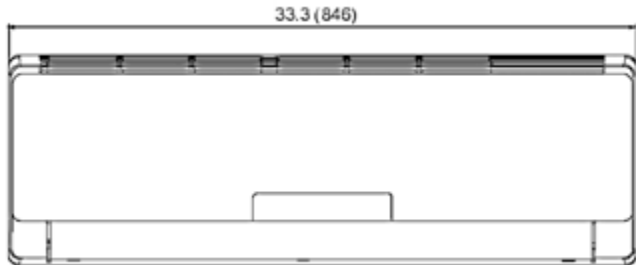
PRODUCT WEIGHT

Model Numbers	Outdoor Unit		Indoor Unit	
	Net Operating (lbs.)	Gross Shipping (lbs.)	Net Operating (lbs.)	Gross Shipping (lbs.)
NEO09HP115V1A	79	90	24	31
NEO12HP115V1A	88	97	24	31
NEO09HP230V1A	79	90	22	29
NEO12HP230V1A	88	97	22	29
NEO18HP230V1A	99	110	24	31
NEO24HP230V1A	132	146	30	38
NEO30HP230V1A	154	163	44	60
NEO36HP230V1A	161	170	44	60

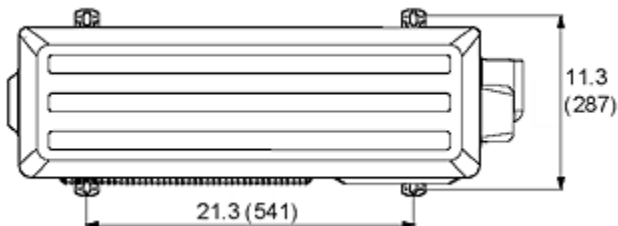
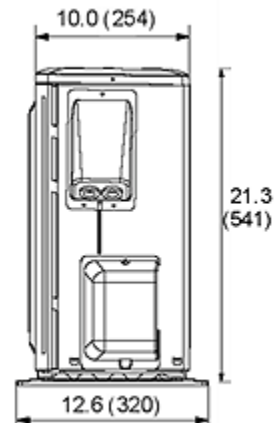
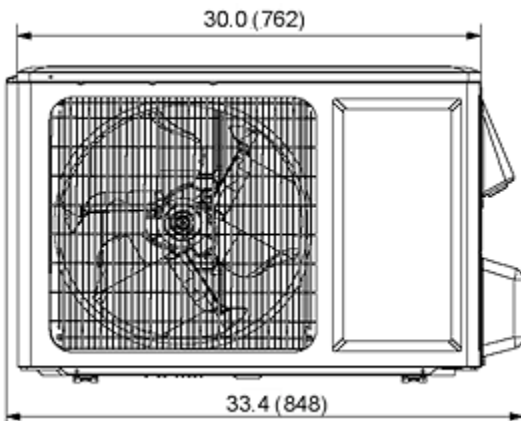
DIMENSIONAL SPECIFICATIONS

Model No: NEO09HP115V1A

9,000 BtuH 115V



Liquid Line Valve	1/4-in OD Flared
Gas Line Valve	3/8-in OD Flared
Drain Connector	5/8-in OD

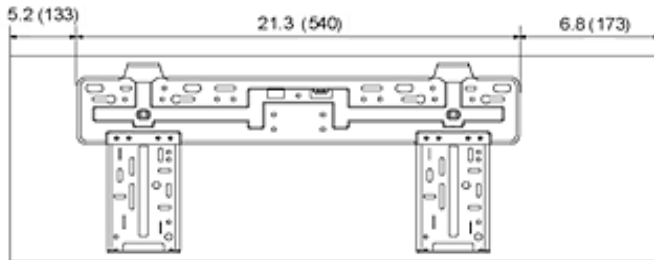
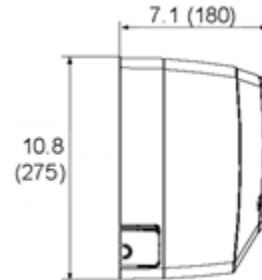
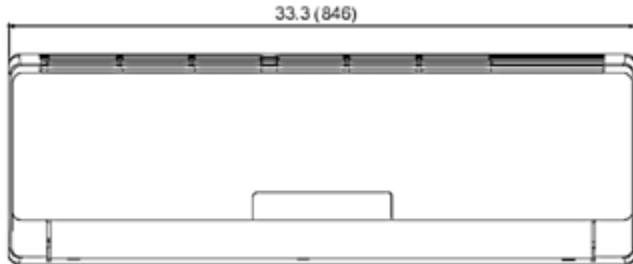


Liquid Line Valve	1/4-in OD Flared
Gas Line Valve	3/8-in OD Flared

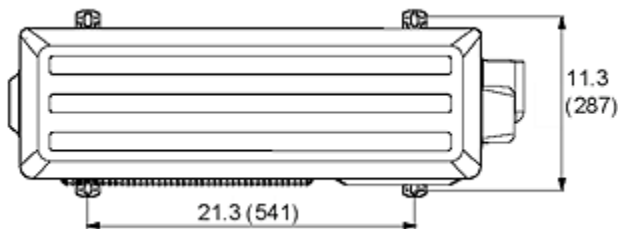
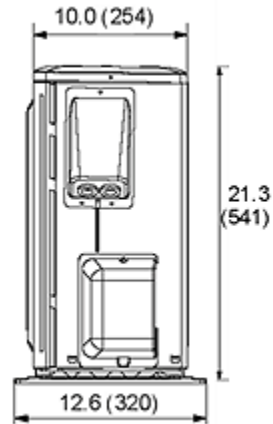
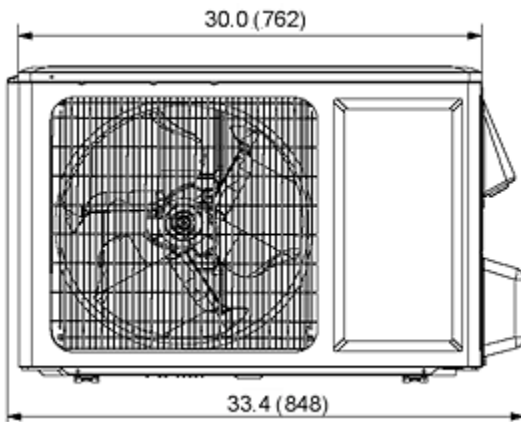
DIMENSIONAL SPECIFICATIONS

Model No: NEO12HP115V1A

12,000 BtuH 115V



Liquid Line Valve	1/4-in OD Flared
Gas Line Valve	3/8-in OD Flared
Drain Connector	5/8-in OD

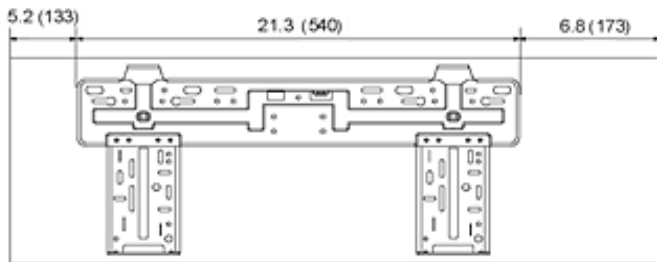
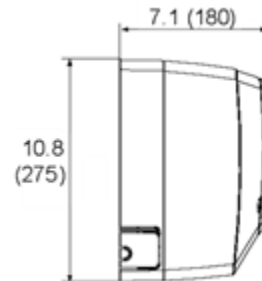
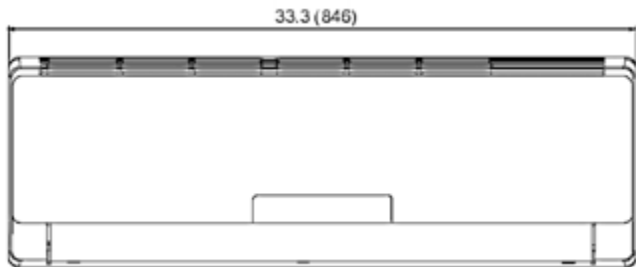


Liquid Line Valve	1/4-in OD Flared
Gas Line Valve	3/8-in OD Flared

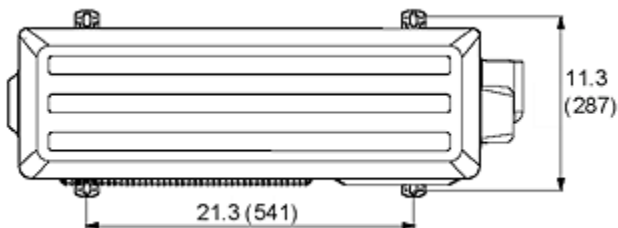
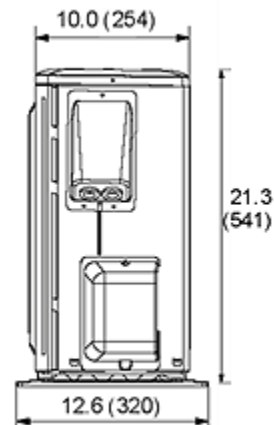
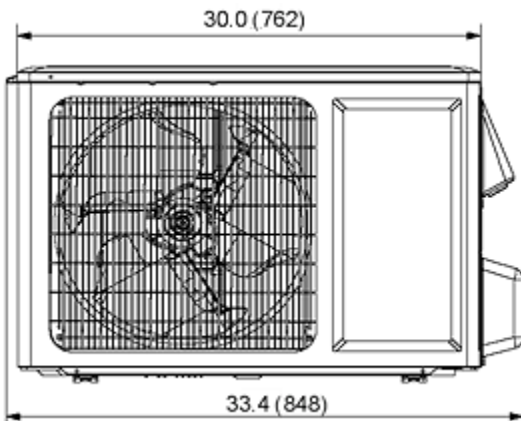
DIMENSIONAL SPECIFICATIONS

Model No: NEO09HP230V1A

9,000 BtuH 230V



Liquid Line Valve	1/4-in OD Flared
Gas Line Valve	3/8-in OD Flared
Drain Connector	5/8-in OD

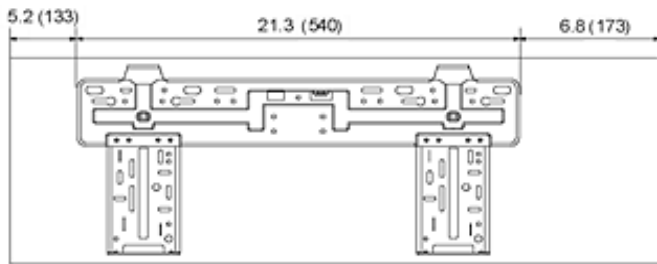
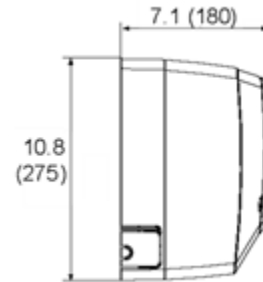
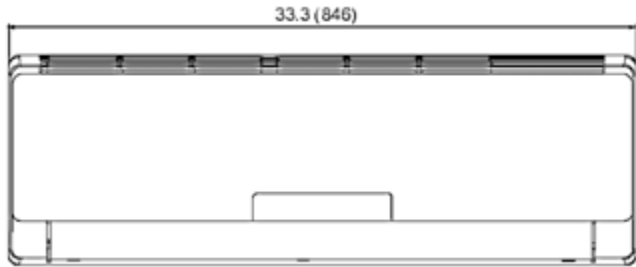


Liquid Line Valve	1/4-in OD Flared
Gas Line Valve	3/8-in OD Flared

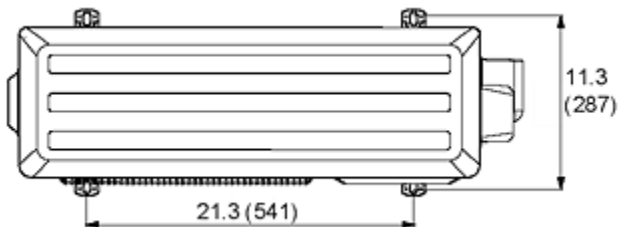
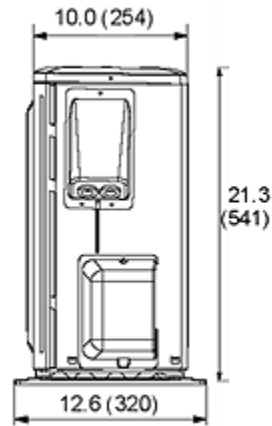
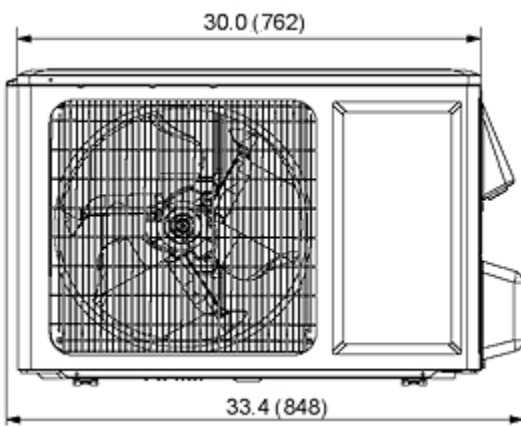
DIMENSIONAL SPECIFICATIONS

Model No: NEO12HP230V1A

12,000 BtuH 230V



Liquid Line Valve	1/4-in OD Flared
Gas Line Valve	3/8-in OD Flared
Drain Connector	5/8-in OD

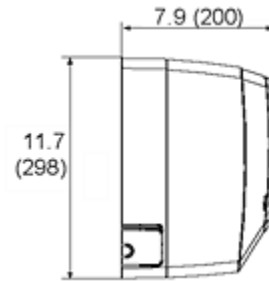
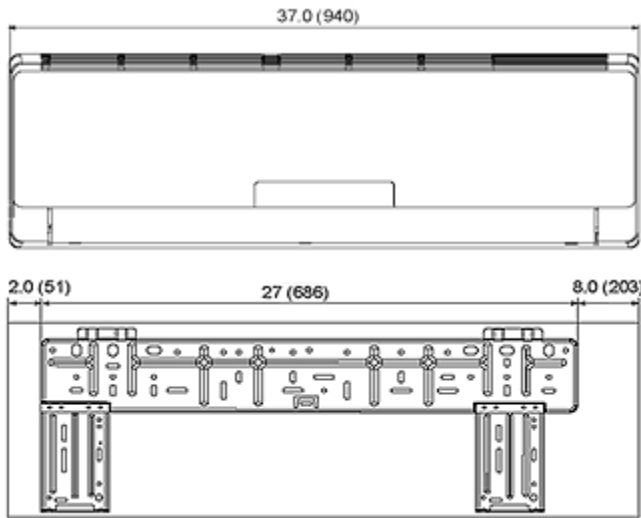


Liquid Line Valve	1/4-in OD Flared
Gas Line Valve	3/8-in OD Flared

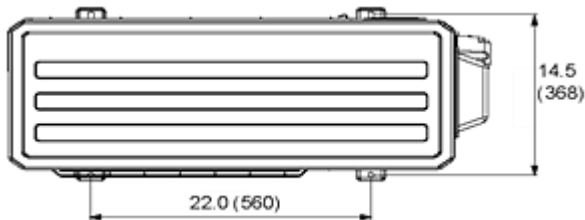
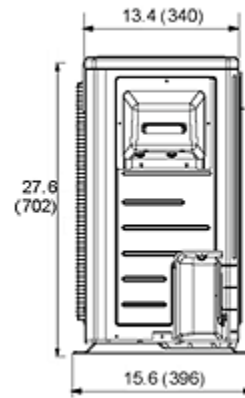
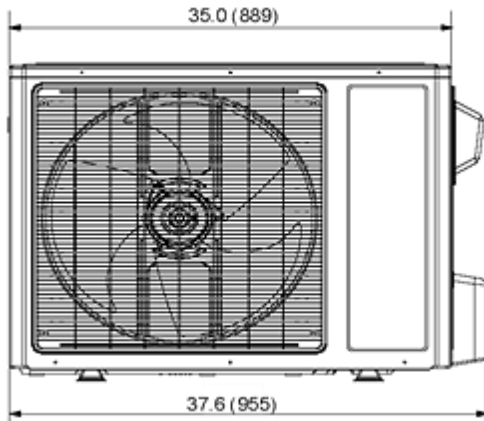
DIMENSIONAL SPECIFICATIONS

Model No: NEO18HP230V1A

18,000 BtuH 230V



Liquid Line Valve	1/4-in OD Flared
Gas Line Valve	1/2-in OD Flared
Drain Connector	5/8-in OD

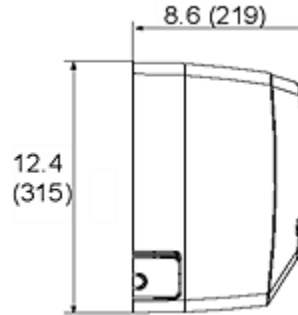
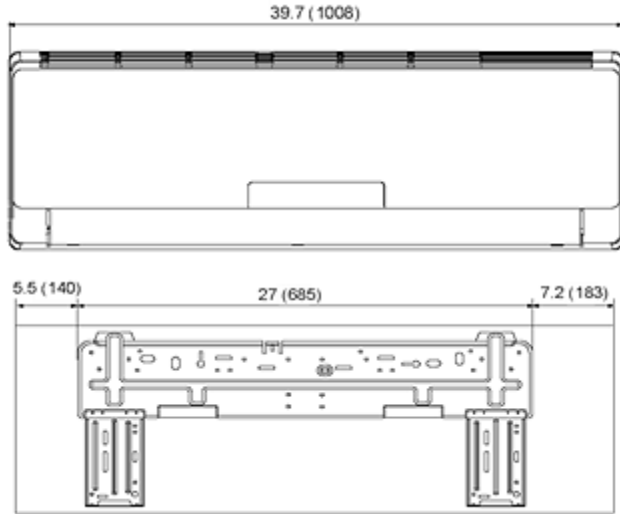


Liquid Line Valve	1/4-in OD Flared
Gas Line Valve	1/2-in OD Flared

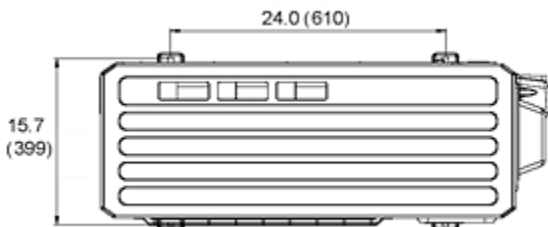
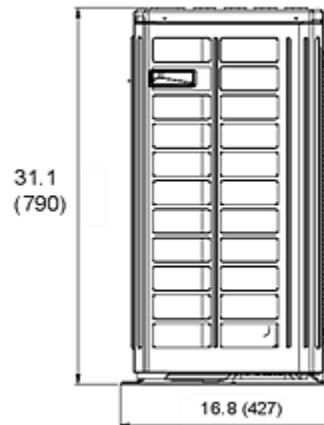
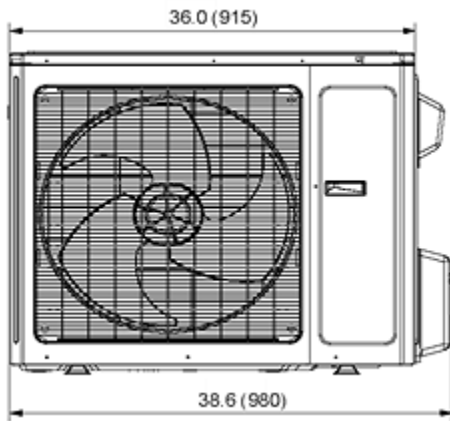
DIMENSIONAL SPECIFICATIONS

Model No: NEO24HP230V1A

24,000 BtuH 230V



Liquid Line Valve	1/4-in OD Flared
Gas Line Valve	5/8-in OD Flared
Drain Connector	5/8-in OD

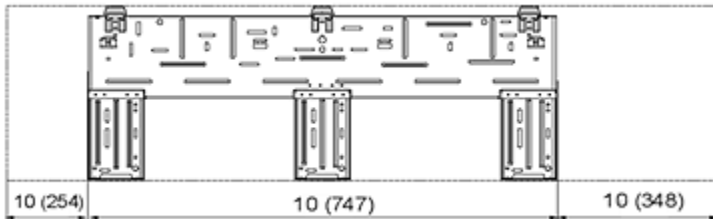
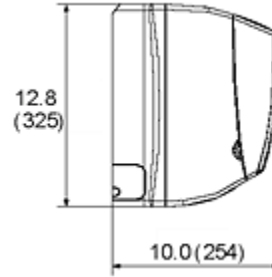
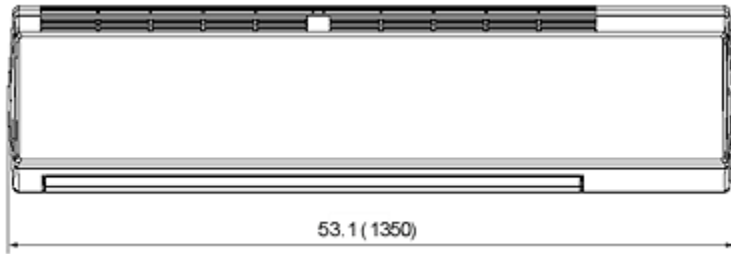


Liquid Line Valve	1/4-in OD Flared
Gas Line Valve	5/8-in OD Flared

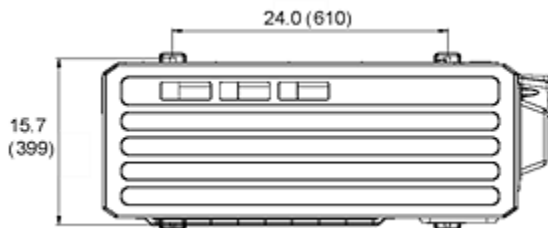
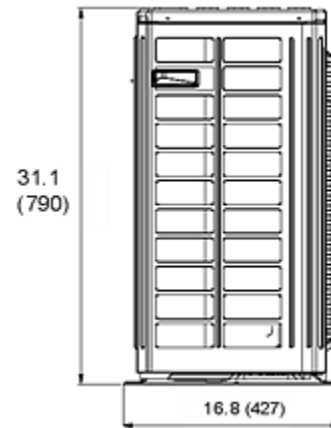
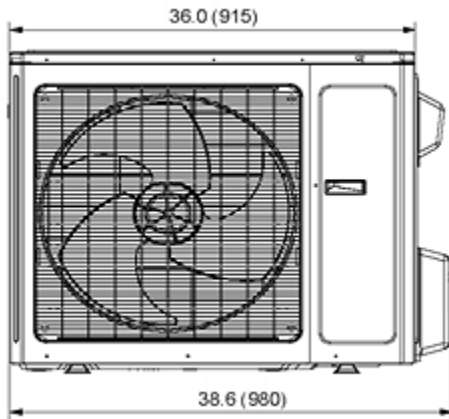
DIMENSIONAL SPECIFICATIONS

Model No: NEO30HP230V1A

30,000 BtuH 230V



Liquid Line Valve	1/4-in OD Flared
Gas Line Valve	5/8-in OD Flared
Drain Connector	5/8-in OD

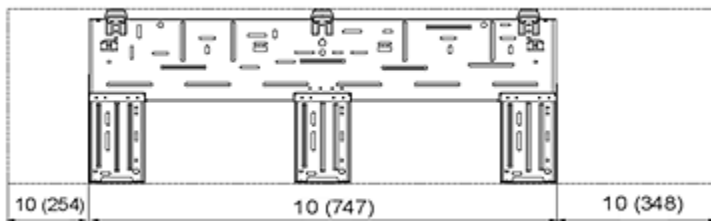
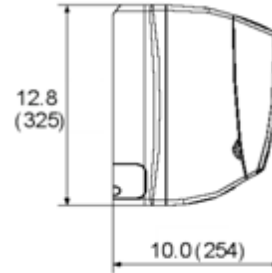
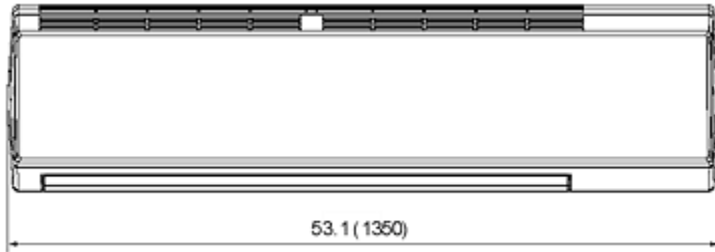


Liquid Line Valve	1/4-in OD Flared
Gas Line Valve	5/8-in OD Flared

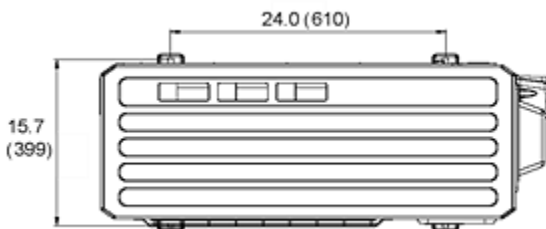
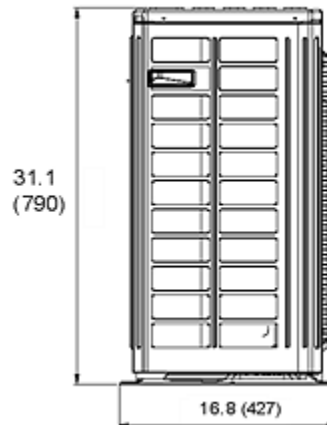
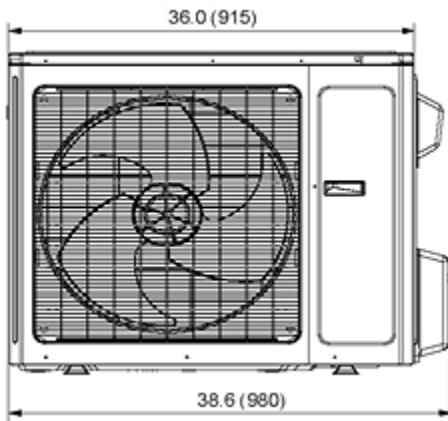
DIMENSIONAL SPECIFICATIONS

Model No: NEO36HP230V1A

36,000 BtuH 230V



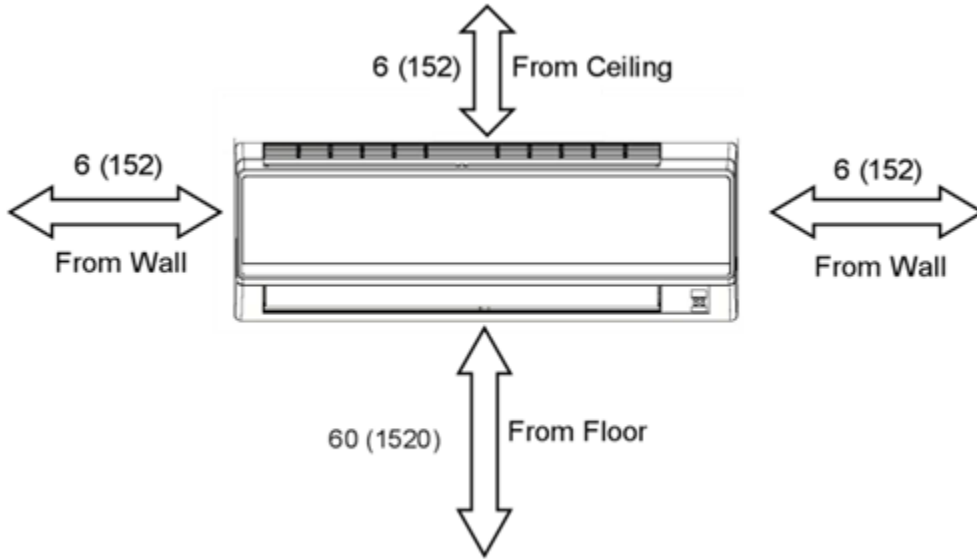
Liquid Line Valve	1/4-in OD Flared
Gas Line Valve	5/8-in OD Flared
Drain Connector	5/8-in OD



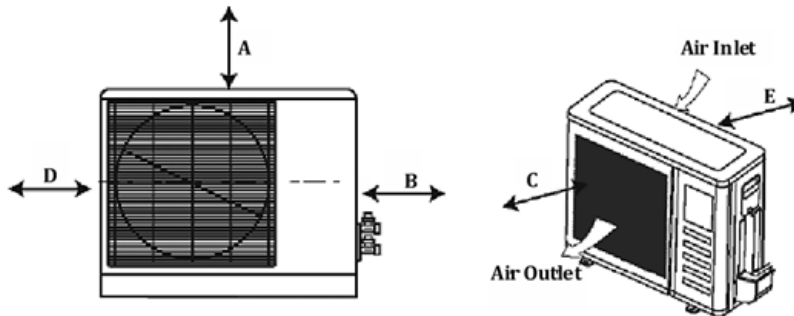
Liquid Line Valve	1/4-in OD Flared
Gas Line Valve	5/8-in OD Flared

CLEARANCE SPECIFICATIONS

Indoor Minimum Clearance*



Outdoor Unit Minimum Clearance*



Outdoor Unit	Minimum Distance	
	A	20 in
B	20in	508 mm
C	78 in	1,981 mm
D	12 in	305 mm
E	12in	305 mm

*All Models

EXTENDED PERFORMANCE RATINGS

Model No: NEO09HP115V1A

9,000 BtuH 115V

COOLING PERFORMANCE

Outdoor Ambient Temperature (DB)	Indoor Entering Air Temperatures (DB) 50% RH					
	62 F		67 F		72 F	
	TC	SHC	TC	SHC	TC	SHC
25 F	11,210	8,336	12,138	8,779	12,952	9,337
35 F	10,973	8,326	11,705	8,540	12,264	8,868
45 F	10,429	8,029	11,179	8,282	11,946	8,668
55 F	10,044	7,770	10,713	8,039	11,468	8,376
65 F	9,691	7,560	10,672	8,100	11,300	8,286
75 F	9,300	7,279	10,053	7,725	10,794	7,959
85 F	8,938	7,102	9,587	7,396	10,404	7,767
95 F	8,506	6,774	9,139	7,299	9,978	7,504
105 F	8,035	6,515	8,643	6,908	9,415	7,200
115 F	7,573	6,248	8,028	6,514	8,573	6,725

HEATING PERFORMANCE

Outdoor Ambient Temperature (DB) (80% RH)	Indoor Entering Air Temperatures (DB)					
	65 F		70 F		75 F	
	TC	SHC	TC	SHC	TC	SHC
5 F	8,238	8,238	7,880	7,880	7,628	7,628
15 F	8,925	8,925	8,238	8,238	8,230	8,230
25 F	9,438	9,438	9,630	9,630	9,558	9,558
35 F	10,910	10,910	11,391	11,391	10,888	10,888
45 F	12,356	12,356	12,241	12,941	12,385	12,385
55 F	13,367	13,367	13,115	13,115	12,595	12,595
65 F	13,349	13,349	13,202	13,202	12,855	12,855

TC- Total Capacity (BtuH)

SHC- Sensible Capacity (BtuH)

Capacity data is based on the following conditions:

Cooling Nominal Test Conditions
 Indoor: 80°F DB/67°F WB
 Outdoor: 95°F DB/75°F WB

Heating Normal Test Conditions
 Indoor: 70°F DB/60°F WB
 Outdoor: 47°F DB/43°F WB

EXTENDED PERFORMANCE RATINGS

Model No: NEO12HP115V1A

12,000 BtuH 115V

COOLING PERFORMANCE

Outdoor Ambient Temperature (DB)	Indoor Entering Air Temperatures (DB) 50% RH					
	62 F		67 F		72 F	
	TC	SHC	TC	SHC	TC	SHC
25 F	14,981	11,106	16,191	11,696	17,276	12,450
35 F	14,647	11,087	15,552	11,358	16,340	11,791
45 F	13,917	10,684	14,882	11,030	15,944	11,541
55 F	13,400	10,345	14,280	10,706	15,306	11,189
65 F	12,940	10,051	14,254	10,796	15,106	11,047
75 F	12,437	9,705	13,403	10,287	14,394	10,623
85 F	11,950	9,450	12,808	9,893	13,859	10,391
95 F	11,330	9,056	12,192	9,704	13,298	9,987
105 F	10,705	8,692	11,547	9,185	12,517	9,617
115 F	10,080	8,343	10,722	8,684	11,435	8,928

HEATING PERFORMANCE

Outdoor Ambient Temperature (DB) (80% RH)	Indoor Entering Air Temperatures (DB)					
	65 F		70 F		75 F	
	TC	SHC	TC	SHC	TC	SHC
5 F	9,129	9,129	8,576	8,576	8,352	8,352
15 F	11,482	11,482	10,858	10,858	10,513	10,513
25 F	11,727	11,727	11,566	11,566	11,361	11,361
35 F	12,747	12,747	12,516	12,516	12,410	12,410
45 F	14,053	14,053	13,849	13,849	13,411	13,411
55 F	14,368	14,368	14,103	14,103	13,987	13,987
65 F	14,314	14,314	14,231	14,231	14,131	14,131

TC- Total Capacity (BtuH)

SHC- Sensible Capacity (BtuH)

Capacity data is based on the following conditions:

Cooling Nominal Test Conditions
 Indoor: 80°F DB/67°F WB
 Outdoor: 95°F DB/75°F WB

Heating Normal Test Conditions
 Indoor: 70°F DB/60°F WB
 Outdoor: 47°F DB/43°F WB

EXTENDED PERFORMANCE RATINGS

Model No: NEO09HP230V1A

9,000 BtuH 230V

COOLING PERFORMANCE

Outdoor Ambient Temperature (DB)	Indoor Entering Air Temperatures (DB) 50% RH					
	62 F		67 F		72 F	
	TC	SHC	TC	SHC	TC	SHC
25 F	11,213	8,338	12,141	8,781	12,956	9,345
35 F	10,976	8,328	11,708	8,542	12,267	8,873
45 F	10,432	8,033	11,187	8,284	11,949	8,672
55 F	10,049	7,772	10,716	8,041	11,471	8,378
65 F	9,694	7,562	10,675	8,102	11,303	8,289
75 F	9,305	7,281	10,056	7,727	10,797	7,961
85 F	8,940	7,104	9,590	7,398	10,407	7,769
95 F	8,508	6,776	9,142	7,301	9,981	7,506
105 F	8,038	6,518	8,648	6,910	9,419	7,202
115 F	7,577	6,250	8,031	6,519	8,579	6,720

HEATING PERFORMANCE

Outdoor Ambient Temperature (DB) (80% RH)	Indoor Entering Air Temperatures (DB)					
	65 F		70 F		75 F	
	TC	SHC	TC	SHC	TC	SHC
5 F	8,321	8,321	7,960	7,960	7,705	7,705
15 F	9,015	9,015	8,321	8,321	8,313	8,313
25 F	9,533	9,533	9,727	9,727	9,655	9,655
35 F	11,020	11,020	11,506	11,506	10,998	10,998
45 F	12,481	12,481	12,365	13,072	12,510	12,510
55 F	13,502	13,502	13,247	13,247	12,722	12,722
65 F	13,484	13,484	13,335	13,335	12,985	12,985

TC- Total Capacity (BtuH)

SHC- Sensible Capacity (BtuH)

Capacity data is based on the following conditions:

Cooling Nominal Test Conditions
 Indoor: 80°F DB/67°F WB
 Outdoor: 95°F DB/75°F WB

Heating Normal Test Conditions
 Indoor: 70°F DB/60°F WB
 Outdoor: 47°F DB/43°F WB

EXTENDED PERFORMANCE RATINGS

Model No: NEO12HP230V1A

12,000 BtuH 230V

COOLING PERFORMANCE

Outdoor Ambient Temperature (DB)	Indoor Entering Air Temperatures (DB) 50% RH					
	62 F		67 F		72 F	
	TC	SHC	TC	SHC	TC	SHC
25 F	14,898	11,045	16,102	11,631	17,181	12,381
35 F	14,566	11,026	15,466	11,295	16,250	11,726
45 F	13,840	10,625	14,800	10,969	15,856	11,477
55 F	13,326	10,288	14,201	10,647	15,221	11,127
65 F	12,869	9,995	14,175	10,736	15,023	10,986
75 F	12,368	9,651	13,329	10,230	14,314	10,564
85 F	11,884	9,398	12,737	9,838	13,782	10,334
95 F	11,267	9,006	12,125	9,650	13,225	9,932
105 F	10,646	8,644	11,483	9,134	12,448	9,564
115 F	10,024	8,297	10,663	8,636	11,372	8,879

HEATING PERFORMANCE

Outdoor Ambient Temperature (DB) (80% RH)	Indoor Entering Air Temperatures (DB)					
	65 F		70 F		75 F	
	TC	SHC	TC	SHC	TC	SHC
5 F	9,267	9,267	8,706	8,706	8,478	8,478
15 F	11,656	11,656	11,023	11,023	10,672	10,672
25 F	11,904	11,904	11,741	11,741	11,533	11,533
35 F	12,940	12,940	12,705	12,705	12,598	12,598
45 F	14,266	14,266	14,059	14,059	13,614	13,614
55 F	14,586	14,586	14,316	14,316	14,199	14,199
65 F	14,531	14,531	14,447	14,447	14,345	14,345

TC- Total Capacity (BtuH)

SHC- Sensible Capacity (BtuH)

Capacity data is based on the following conditions:

Cooling Nominal Test Conditions
 Indoor: 80°F DB/67°F WB
 Outdoor: 95°F DB/75°F WB

Heating Normal Test Conditions
 Indoor: 70°F DB/60°F WB
 Outdoor: 47°F DB/43°F WB

EXTENDED PERFORMANCE RATINGS

Model No: NEO18HP230V1A

18,000 BtuH 230V

COOLING PERFORMANCE

Outdoor Ambient Temperature (DB)	Indoor Entering Air Temperatures (DB) 50% RH					
	62 F		67 F		72 F	
	TC	SHC	TC	SHC	TC	SHC
25 F	23,703	17,600	25,592	18,529	27,357	19,697
35 F	22,942	17,411	24,407	17,817	25,592	18,503
45 F	21,626	16,608	23,077	17,123	24,725	17,926
55 F	20,622	15,961	21,943	16,457	23,523	17,172
65 F	19,724	15,325	21,655	16,436	22,962	16,785
75 F	18,770	14,678	20,179	15,518	21,905	16,166
85 F	17,846	14,170	19,080	14,730	20,906	15,617
95 F	16,776	13,404	18,000	14,382	19,872	14,924
105 F	15,891	12,903	17,078	13,629	18,730	14,385
115 F	15,002	12,362	15,873	12,857	17,114	13,400

HEATING PERFORMANCE

Outdoor Ambient Temperature (DB) (80% RH)	Indoor Entering Air Temperatures (DB)					
	65 F		70 F		75 F	
	TC	SHC	TC	SHC	TC	SHC
5 F	16,358	16,358	15,438	15,438	15,060	15,060
15 F	17,485	17,485	15,952	15,952	15,856	15,856
25 F	18,552	18,552	17,608	17,608	16,606	16,606
35 F	19,588	19,588	18,130	18,130	17,369	17,369
45 F	20,611	20,611	19,912	19,912	18,706	18,706
55 F	20,639	20,639	20,042	20,042	19,165	19,165
65 F	20,541	20,541	20,241	20,241	19,617	19,617

TC- Total Capacity (BtuH)

SHC- Sensible Capacity (BtuH)

Capacity data is based on the following conditions:

Cooling Nominal Test Conditions

Indoor: 80°F DB/67°F WB

Outdoor: 95°F DB/75°F WB

Heating Normal Test Conditions

Indoor: 70°F DB/60°F WB

Outdoor: 47°F DB/43°F W

EXTENDED PERFORMANCE RATINGS

Model No: NEO24HP230V1A

24,000 BtuH 230V

COOLING PERFORMANCE

Outdoor Ambient Temperature (DB)	Indoor Entering Air Temperatures (DB) 50% RH					
	62 F		67 F		72 F	
	TC	SHC	TC	SHC	TC	SHC
25 F	28,180	20,924	30,426	22,029	32,525	23,418
35 F	27,276	20,699	29,017	21,183	30,426	21,998
45 F	25,711	19,746	27,436	20,358	29,396	21,312
55 F	24,517	18,976	26,088	19,566	27,967	20,416
65 F	23,449	18,220	25,745	19,540	27,299	19,955
75 F	22,316	17,451	23,991	18,449	26,043	19,220
85 F	21,217	16,846	22,684	17,512	24,855	18,567
95 F	19,945	15,936	21,400	17,099	23,626	17,743
105 F	18,892	15,341	20,304	16,203	22,268	17,102
115 F	17,836	14,697	18,871	15,285	20,346	15,931

HEATING PERFORMANCE

Outdoor Ambient Temperature (DB) (80% RH)	Indoor Entering Air Temperatures (DB)					
	65 F		70 F		75 F	
	TC	SHC	TC	SHC	TC	SHC
5 F	20,177	20,177	19,042	19,042	18,576	18,576
15 F	21,567	21,567	19,676	19,676	19,558	19,558
25 F	22,883	22,883	21,720	21,720	20,484	20,484
35 F	24,161	24,161	22,363	22,363	21,425	21,425
45 F	25,423	25,423	24,561	24,561	23,073	23,073
55 F	25,457	25,457	24,721	24,721	23,640	23,640
65 F	25,337	25,337	24,966	24,966	24,197	24,197

TC- Total Capacity (BtuH)

SHC- Sensible Capacity (BtuH)

Capacity data is based on the following conditions:

Cooling Nominal Test Conditions
 Indoor: 80°F DB/67°F WB
 Outdoor: 95°F DB/75°F WB

Heating Normal Test Conditions
 Indoor: 70°F DB/60°F WB
 Outdoor: 47°F DB/43°F W

EXTENDED PERFORMANCE RATINGS

Model No: NEO30HP230V1A

30,000 BtuH 230V

COOLING PERFORMANCE

Outdoor Ambient Temperature (DB)	Indoor Entering Air Temperatures (DB) 50% RH					
	62 F		67 F		72 F	
	TC	SHC	TC	SHC	TC	SHC
25 F	33,458	22,145	34,789	22,987	36,247	23,697
35 F	32,149	21,459	33,987	22,358	35,781	23,154
45 F	31,268	21,136	32,147	22,135	35,147	22,145
55 F	30,214	20,789	31,569	21,458	34,157	21,897
65 F	29,164	20,256	31,128	21,597	33,987	21,135
75 F	28,157	20,174	30,224	21,154	33,129	20,984
85 F	27,489	19,247	29,157	20,147	32,167	20,794
95 F	26,472	18,457	28,504	19,356	31,875	20,148
105 F	26,235	18,324	28,126	19,123	30,247	19,546
115 F	25,478	17,952	27,268	18,137	28,159	18,957

HEATING PERFORMANCE

Outdoor Ambient Temperature (DB) (80% RH)	Indoor Entering Air Temperatures (DB)					
	65 F		70 F		75 F	
	TC	SHC	TC	SHC	TC	SHC
5 F	25,445	25,445	24,578	24,578	22,658	22,658
15 F	27,589	27,589	25,147	25,147	23,547	23,547
25 F	29,547	29,547	27,458	27,458	24,789	24,789
35 F	30,254	30,254	28,154	28,154	26,145	26,145
45 F	31,257	31,257	30,122	30,122	29,867	29,867
55 F	32,589	32,589	31,472	31,472	30,214	30,214
65 F	33,438	33,438	31,892	31,892	31,112	31,112

TC- Total Capacity (BtuH)

SHC- Sensible Capacity (BtuH)

Capacity data is based on the following conditions:

Cooling Nominal Test Conditions

Indoor: 80°F DB/67°F WB

Outdoor: 95°F DB/75°F WB

Heating Normal Test Conditions

Indoor: 70°F DB/60°F WB

Outdoor: 47°F DB/43°F W

EXTENDED PERFORMANCE RATINGS

Model No: NEO36HP230V1A

36,000 BtuH 230V

COOLING PERFORMANCE

Outdoor Ambient Temperature (DB)	Indoor Entering Air Temperatures (DB) 50% RH					
	62 F		67 F		72 F	
	TC	SHC	TC	SHC	TC	SHC
25 F	39,451	30,156	41,268	32,145	43,267	33,687
35 F	37,812	29,781	40,234	31,124	42,264	32,146
45 F	36,789	28,457	39,124	30,124	41,256	30,891
55 F	35,456	28,145	38,452	29,145	40,257	30,458
65 F	34,597	27,594	36,756	28,157	39,257	29,123
75 F	33,569	26,987	35,897	27,598	38,947	28,942
85 F	32,158	25,678	34,589	26,571	37,896	27,569
95 F	30,259	24,897	33,878	25,756	35,254	26,594
105 F	29,129	24,295	32,795	24,129	35,020	25,674
115 F	28,874	23,253	29,920	24,235	31,960	25,025

HEATING PERFORMANCE

Outdoor Ambient Temperature (DB) (80% RH)	Indoor Entering Air Temperatures (DB)					
	65 F		70 F		75 F	
	TC	SHC	TC	SHC	TC	SHC
5 F	24,235	24,235	22,175	22,175	21,457	21,457
15 F	25,687	25,687	24,712	24,712	23,584	23,584
25 F	29,574	29,574	28,475	28,475	26,475	26,475
35 F	32,154	32,154	31,257	31,257	27,481	27,481
45 F	34,214	34,214	33,241	33,241	30,118	30,118
55 F	35,127	35,127	34,145	34,145	31,245	31,245
65 F	36,471	36,471	35,122	35,122	32,014	32,014

TC- Total Capacity (BtuH)

SHC- Sensible Capacity (BtuH)

Capacity data is based on the following conditions:

Cooling Nominal Test Conditions

Indoor: 80°F DB/67°F WB

Outdoor: 95°F DB/75°F WB

Heating Normal Test Conditions

Indoor: 70°F DB/60°F WB

Outdoor: 47°F DB/43°F W

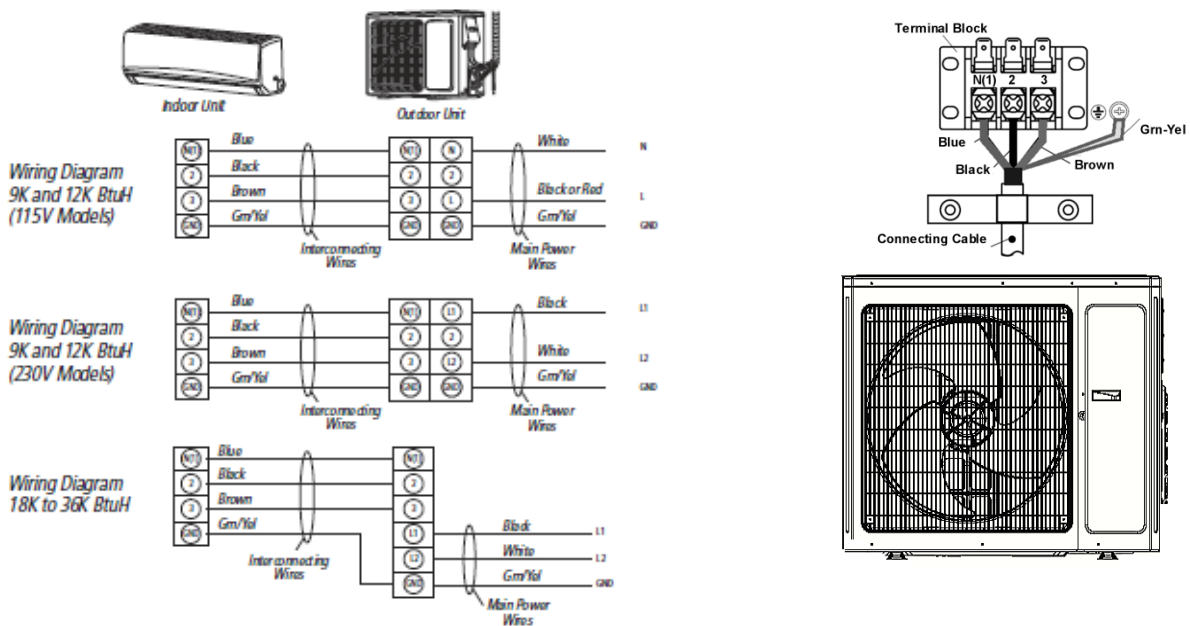
ELECTRICAL WIRING



⚠ CAUTION

- *Electrical Disconnecting means must be provided and shall be located within sight and readily accessible from the unit.*
- *Failure to follow this caution may result in equipment damage or improper operation. All wires running from the indoor unit must comply with National Electrical Code (NEC) and local codes.*
- *No Wire should be allowed to touch refrigerant tubing, compressor or moving parts.*
- *All wires must be connected firmly to terminal block to avoid unit malfunction, overheating, and possible fire hazard.*

The main power is supplied to the outdoor unit. System must be on a single dedicated circuit. Use appropriate wire size and circuit breaker (or fuse) size for proper system overcurrent protection. Follow all local building codes and NEC (National Electrical Code) regulations.

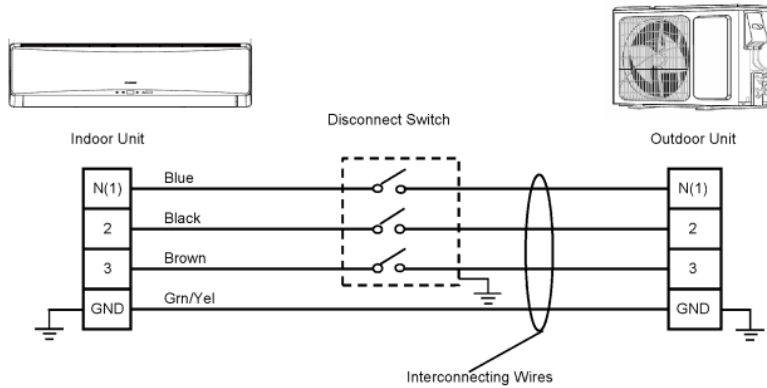


Interconnecting Cable Wiring Diagram

The indoor unit is powered by the outdoor unit. The interconnecting cable between the outdoor and indoor unit must be a 14/4 AWG stranded copper conductors THHN 600V unshielded wire. The interconnecting cable should not be buried underground and must be recognized by UL or ETL and CSA certified.

Note: Use shield cable if installation is in close proximity of RF and EMI transmitting devices.

Local codes may require a disconnect switch within sight of the indoor unit. For these installations, use a DFS Disconnect Switch Accessory Kit (Part No: DFS-SWITCH-A) to break wires going to the N(1), 2, 3 terminals on the indoor unit, as shown in the wiring diagram below:

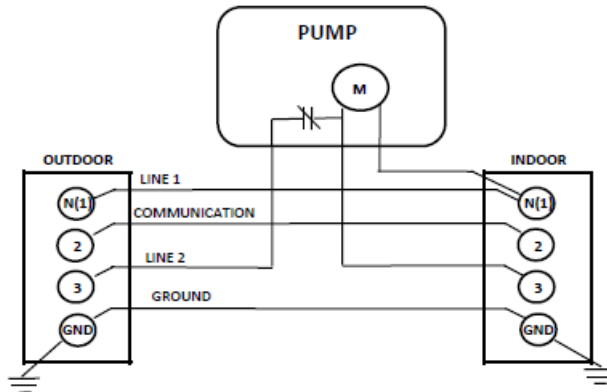


Interconnecting Cable with Disconnect Switch Wiring Diagram

CONDENSATE REMAOVAL

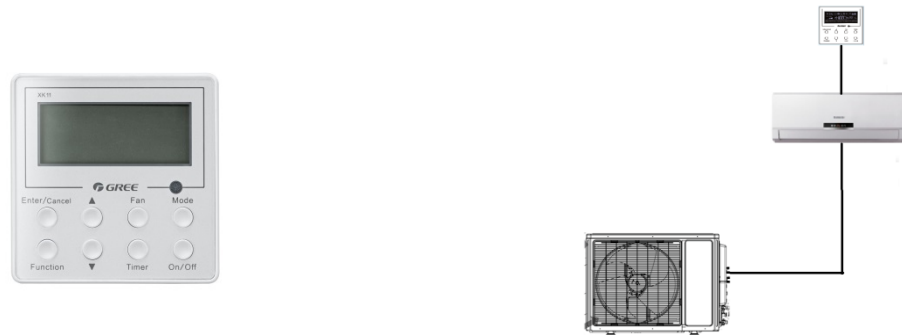
Install condensate drain to safely and effectively route condensate water to a safe location. Use a flexible condensate drain hose to fit over the factory 5/8-inch (16mm) drainage port. The high wall indoor units have an internal condensate trap. Adding an external trap is not required.

All condensate drains must meet local codes and regulations. If adequate gravity drainage cannot be provided, a field-installed condensate pump must be used. Refer to manufacturer's installation instructions, specifications and operating details supplied with condensate pump.



Typical Condensate Pump Wiring Diagram

TETHER WIRED CONTROLLER (Optional)



Part# MC207059 - XK-41 for Neo Mini-Split Heat Pump Systems.

FEATURES AND BENEFITS

ATTRACTIVE APPEARANCE – The XK series features a sleek, unobtrusive design that fits seamlessly into any décor.

EASY TO INSTALL – The XK series Wired Tether Controllers have been designed for fast and easy installation to save you time and money. Each XK wired controller comes with keyed connectors and 26 feet of cable. Its flexible design allows it to be mounted either flush to the wall or using an electrical box.

COMMAND CENTER - Enjoy the convenience of a fully functional command center with a large LCD display to set up and operate your duct free system. The XK series allows you fast and easy access to a large number of system features and functions:

Note: Some indoor units may not support specific system features or functions. Always refer to the indoor unit Owner's Manual.

ON/OFF - The XK series allows you to start and stop your system. The system will always start up in the last operating mode with the last room setpoint.

OPERATING MODE - The system allows users to effortlessly select an operating mode (Cooling, Heating, Dry, Fan Only or Auto mode) with a single key stroke.

FAN SPEED -The system fan speed (High, Medium, Low or Auto) can be adjusted for peak room comfort and quietness.

ROOM SETPOINT – The XK series makes dialing in the correct room setpoint temperature a breeze. Most indoor units allow a room setpoint from 61° F to 86° F (16° ~ 30° C).

TIMER MODE - When needed, the XK series allows you the ability to program a time period (one-half to 24 hours) to which your system will automatically turn ON or OFF.

FEATURES AND BENEFITS (CONT.)

SLEEP MODE – The XK series will automatically adjust room temperature during your sleep time. This slight change in temperature will not affect your comfort level due to the natural effects that sleeping has on the body, but it will save on energy consumption and will lower electric bills.

TURBO MODE– Whether you need to heat up or cool down a room quickly, Turbo Mode will force your system to run at higher speeds to reach the desired room temperature faster.

X-FAN MODE - The X-Fan function can be activated from the XK series to remove moisture buildup when the system is turned OFF. This helps prevent mold and mildew growth on your indoor coil and fan.

PRIVACY LOCK - The XK series has a Privacy Lock that can be set to prevent unauthorized access to the unit controls and prevents tampering with system settings.

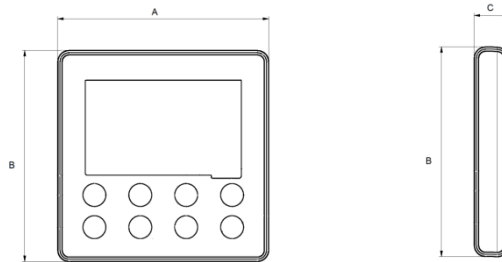
POWER FAILURE RECOVERY - Power interruptions are no problem for the XK series wired controller. All user selections and system parameters are stored in non-volatile memory. When power is returned, the system will automatically return to the last operating mode.

SWING LOUVER CONTROL - The XK series provides control over the motorized discharge air louver to optimize air distribution throughout the room.

FAHRENHEIT OR CELSIUS DISPLAY– Whether you are more comfortable reading temperatures in Fahrenheit or Celsius, the XK series can quickly be set up to display either one.

DIAGNOSTIC CENTER - The system has an on-board computer that continuously scans for unacceptable operating conditions or malfunctions. If such conditions occur, the system takes corrective action or stops. The fault or status codes will be shown on XK-series wired tether controller display to facilitate easy troubleshooting and repair.

DIMENSIONAL SPECIFICATIONS

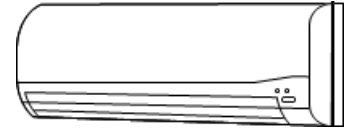


Dimensions

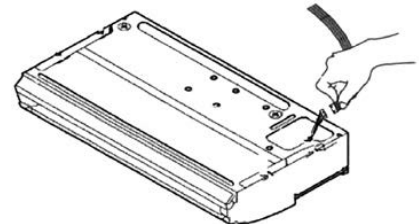
TYPE	PART NUMBER	A	B	C
XK-41	MC207059	3.625 (92)	3.625 (92)	1.375 (35)

INSTALLATION

The following is a brief XK-19 and XK-41 Wired Tether Controller installation overview. See Wired Controller Installation Manual for more detailed instructions on installation, start-up, and setup.

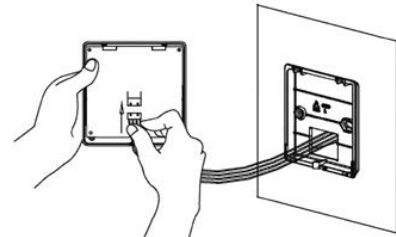
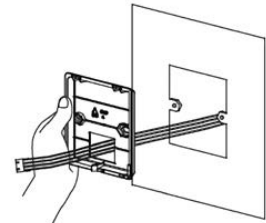


CONNECTING INDOOR UNIT- Select a proper location on the wall for mounting the Tether Controller. Install switch box, if required by code. Locate the 26-ft communication cable that came with the Tether Controller. Run communication cable (as desired) between indoor unit and selected wall mounting location.. Locate the Tether Controller connector in the control box area of the indoor unit. Carefully connect communication cable to indoor unit.



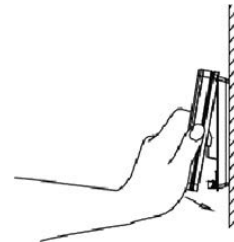
(Indoor Unit Type is for Reference Only)

WIRED CONTROLLER INSTALLTION – Pull communication cable through switch box (if one is used) and Wired Tether Controller backplate. Securely fasten backplate to the switch box or wall.



Carefully connect communication cable to rear of Wired Tether Controller panel. Push extra cable into wall and secure controller panel to backplate mounted on the wall.

NOTE: DO NOT CUT AN SPICE COMMUNICATION CABLE.



Follow the start-up setup instructions supplied with the Wired Tether Controller.



LIMITED WARRANTY STATEMENT

Effective on new GREE Duct-free purchases on or after March 1, 2013 Duct-free Heat Pump Mini-Split Systems:

NEO09HP115V1A
NEO09HP230V1A
NEO18HP230V1A
NEO30HP230V1A

NEO12HP115V1A
NEO12HP230V1A
NEO24HP230V1A
NEO36HP230V1A

GREE distributor (hereinafter “Company”) warrants this product against failure due to defect in materials or workmanship under normal use and maintenance as follows. All warranty periods begin on the date of original installation. If the date cannot be verified, the warranty period begins one hundred twenty (120) days from date of manufacture. If a part fails due to defect during the applicable warranty period Company will provide a new or remanufactured part, at Company’s option, to replace the failed defective part at no charge for the part. This limited warranty is subject to all provisions, conditions, limitations and exclusions listed below.

- A warranty period of Seven (7) years on compressor to the original registered end-user.
- A warranty period of Five (5) years on all parts to the original registered end user.
- A warranty period of One (1) year on the remote control provided with the original unit.
- Limited warranty applies only to systems that are properly installed by a state certified or licensed HVAC contractor, under applicable local and state law in accordance with all applicable building codes and permits; GREE installation and operation instructions and good trade practices.
- Warranty applies only to products remaining in their original installation location.
- Defective parts must be returned to the distributor through a registered servicing dealer for credit.

LIMITATIONS OF WARRANTIES: ALL IMPLIED WARRANTIES AND/OR CONDITIONS (INCLUDING IMPLIED WARRANTIES OR CONDITIONS OF MERCHANTABILITY AND FITNESS FOR A PARTICULAR USE OR PURPOSE) ARE LIMITED TO THE DURATION OF THIS LIMITED WARRANTY, SOME STATES OR PROVINCES DO NOT ALLOW LIMITATIONS ON HOW LONG AN IMPLIED WARRANTY OR CONDITION LASTS, SO THE ABOVE MAY NOT APPLY TO YOU. THE EXPRESS WARRANTIES MADE IN THIS WARRANTY ARE EXCLUSIVE AND MAY NOT BE ALTERED, ENLARGED, OR CHANGED BY ANY DISTRIBUTOR, DEALER, OR OTHER PERSON, WHATSOEVER.

THIS WARRANTY DOES NOT COVER:

1. Labor or other costs incurred for diagnosing, repairing, removing, installing, shipping, servicing or handling of either defective parts, or replacement parts, or new units.
2. Product cleaning required prior to warranty service and repair.
3. Normal maintenance as outlined in the installation and servicing instructions or Owner's Manual, including filter cleaning and/or replacement and lubrication.
4. Failure, damage or repairs due to faulty installation, misapplication, abuse, improper servicing, unauthorized alteration or improper operation.
5. Failure to start due to voltage conditions, blown fuses, open circuit breakers, or damages due to the inadequacy or interruption of electrical service.
6. Failure or damage due to floods, winds, fires, lightning, accidents, corrosive environments (rust, etc.) or other conditions beyond the control of the Company.
7. Failure or damage of coils or piping due to corrosion on installations within one (1) miles of sea coast or corrosive body.
8. Parts not supplied or designated by Company, or damages resulting from their use.
9. Products installed outside continental USA and Canada.
10. Electricity or fuel costs, or increases in electricity or fuel costs from any reason whatsoever, including additional or unusual use of supplemental electric heat.
11. Any cost to replace, refill or dispose of refrigerant, including the cost of refrigerant.
12. Shipping damage or damage as a result of transporting the unit.
13. Accessories such as condensate pumps, line sets and so forth are not covered.
14. Any special, indirect or consequential property or commercial damage of any nature whatsoever. Some states or provinces do not allow the exclusion of incidental or consequential damages, so the above limitation may not apply to you.

FOR WARRANTY SERVICE OR REPAIR:

Contact your installing contractor. You may find the installer's name on the equipment or in your Owner's packet.

Complete product registration below and send back by e-mail at service@twclimate.com

This warranty gives you specific legal rights, and you may also have other rights which vary from state to state or province to province.

WSO021513-DLSWARR-HP – Rev. 3-8-13



Specifications in this booklet are subject to change without notice. Manufacturer reserves the right to discontinue or modify specifications or designs without notice or without incurring obligations. All rights reserved.

Cat No. NEO-1TPG

Version: Original